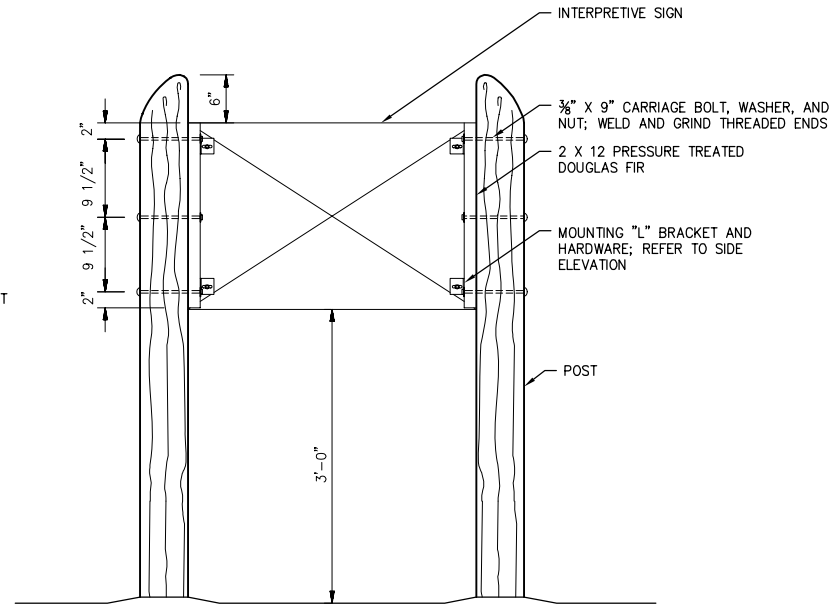


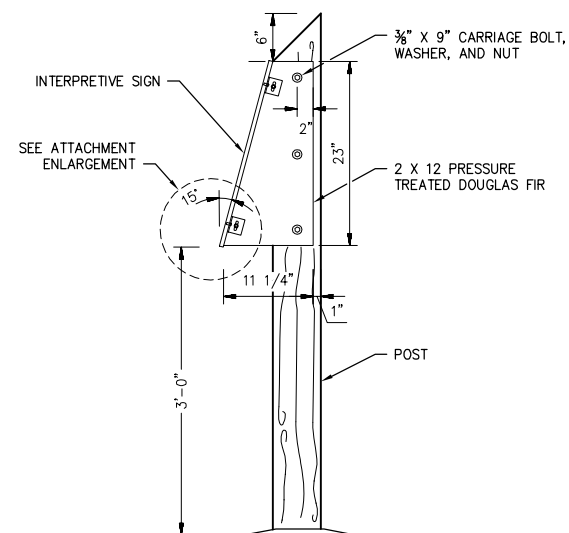
FRONT ELEVATION

- NOTES:**
1. WOOD SHALL BE PRESSURE-TREATED DOUGLAS FIR.
 2. ALL FASTNERS NOT PROVIDED BY DISTRICT SHALL BE HOT-DIPPED GALVANIZED.
 3. REFER TO SPECIFICATIONS FOR ADDITIONAL INFORMATION.

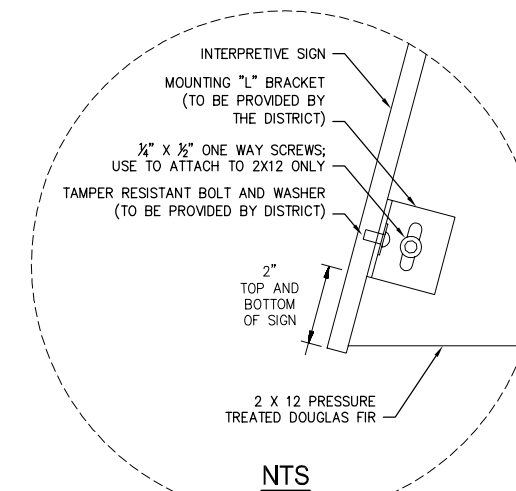
4
D3 FRONT/BACK/SIDE ELEVATION
 INTERPRETIVE SIGN FRAME SCALE: 1" = 2'



BACK ELEVATION



SIDE ELEVATION



NTS
ATTACHMENT ENLARGEMENT